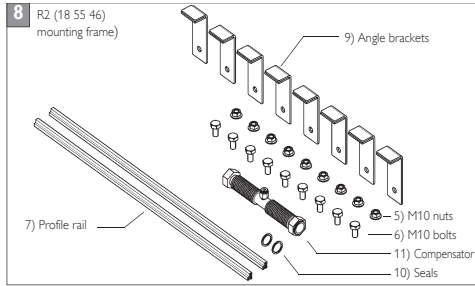


185546 R2 Mounting frame for two SOL 25 Plus collectors (vertical install)



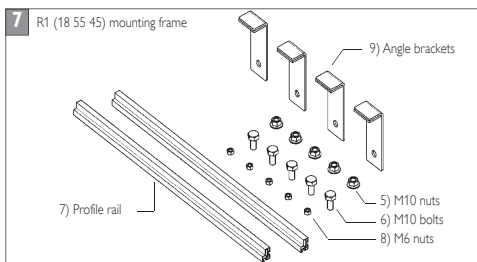
Mounting frame for two SOL 25 Plus collectors. For vertical installation.

In combination with the BP, BW, BF S and BF W mounting hardware sets, permits installation on wood / shingled roofs, metal roofs, flat roofs or walls.

Can also be used to mount one collector, horizontal.



185545 R1 Mounting frame for one SOL 25 Plus collector (vertical install)



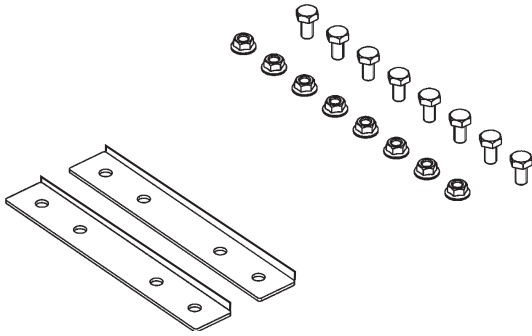
Mounting frame for one SOL 25 Plus collector. For vertical installation.

In combination with the BP, BW, BF S and BF W mounting hardware sets, permits installation on wood / shingled roofs, metal roofs, flat roofs or walls.



SFC001

Frame connector kit

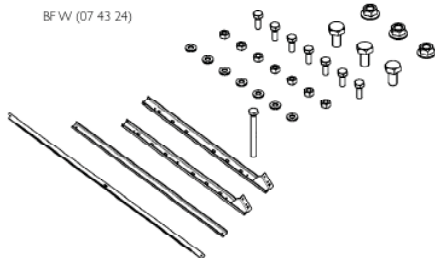


Contents:

- 8 M10 Nuts
- 8 M10 Bolts
- 2 SH113 Frame connectors



074324 BF W 45° Mounting hardware, SOL 25 Plus (horizontal orientation)



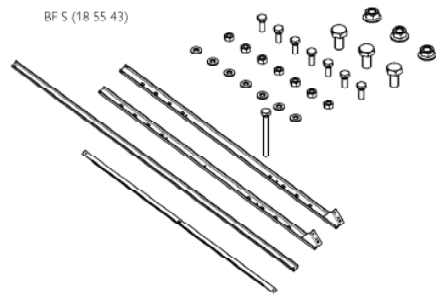
For horizontal installation on flat roof or wall.

Contents:

- 1 support, vertical
- 1 support, horizontal
- 1 supports, transverse
- 1 brace
- 1 set each M10 & M6 nuts and bolts

**TWO NEEDED PER FRAME

185543 BF S 45° Mounting hardware, SOL 25 Plus (vertical orientation)



For vertical installation on flat roof or wall.
Contents:

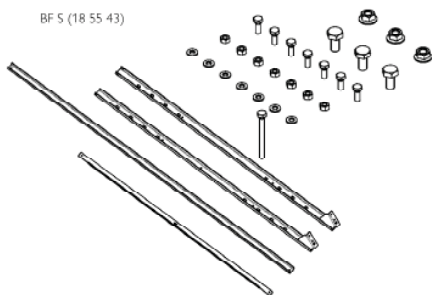
- 1 support, vertical
- 1 support, horizontal
- 1 supports, transverse
- 1 brace
- 1 set each M10 & M6 nuts and bolts

****TWO NEEDED PER FRAME**



SE60

60° Mounting hardware, SOL 25 Plus (vertical orientation)



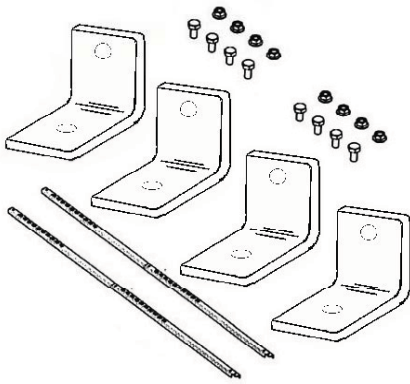
For vertical installation on flat roof or wall.
Contents:

- 1 support, vertical
- 1 support, horizontal
- 1 supports, transverse
- 1 brace
- 1 set each M10 & M6 nuts and bolts

****TWO NEEDED PER FRAME**

*not drawn to scale

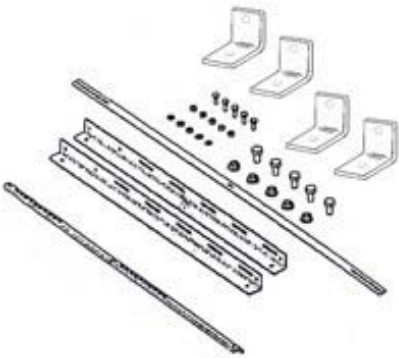


SFM 001**Flush mount kit for SOL 25 Plus****Contents:**

- 4 L brackets
- 2 collector rails
- 8 set M10 nuts and bolts

****ONE NEEDED PER FRAME**

*not drawn to scale

**SFT 004****Frame tilt system for SOL 25 Plus - vertical**

Frame tilt system for adjusting tilt on roofs 10 to 30 degrees.

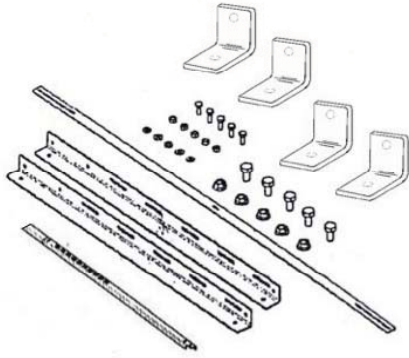
Contents:

- Adjustable riser strut set
- 4 L brackets
- 1 Brace
- 1 Collector rail
- 5 sets M10 nuts and bolts
- 5 sets M6 x 2 nuts and bolts

****TWO NEEDED PER FRAME**

*not drawn to scale





Frame tilt system for adjusting tilt on roofs 10 to 30 degrees.

Contents:

- Adjustable riser strut set
- 4 L brackets
- 1 Brace
- 1 Collector rail
- 5 sets M10 nuts and bolts
- 5 sets M6 x 2 nuts and bolts

****TWO NEEDED PER FRAME**

*not drawn to scale



Contents:

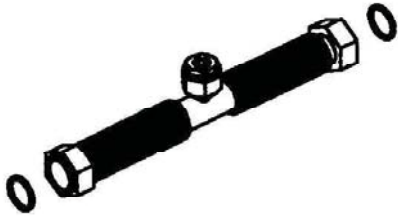
- 4 L brackets
- 2 collector rails
- 8 set M10 nuts and bolts

****ONE NEEDED PER FRAME**



170804

Flexible stainless steel tube for SOL 25 Plus



This flexible connection tube will provide the plumbing connection between two collectors.

221339

SE FLOWSTAR Kit



- Circulator
- 2 Boiler drains
- 1 Check valve
- 1 Expansion tank
- 1 Pressure relief valve
- 1 Temp / pressure gauge
- 1 Flowmeter
- 1 Return thermometer
- 1 Air vent

222140

SOM 6 controller



- Solar loop controller

222141

SOM 7 controller



- Solar loop and auxillary controller

074350-115

SOM 8 controller



- Multi-system controller
- 15 sensor inputs
- 9 power outputs

*Note: SOM 8 is NOT UL listed

165818 1K Sensor for SOM controller



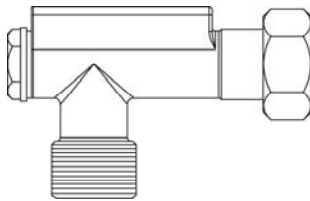
- 1K Immersion / strap on sensor for SOM 6 and SOM 7 controllers

074100 Glycol - 20 liters / 5.28 gallons



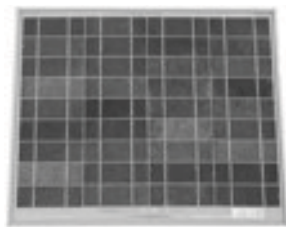
- Ready to use mixture

185307 Sensor well



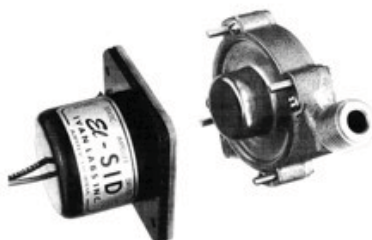
- Well for sensor, used in conjunction with solar differential controller

SPV20W 20W PV panel



- 20W PV panel

SID10 DC pump 10W, 12VDC, EI-Sid



- A driver with no moving parts
- A pump without seals, stainless and bronze
- Produces approximately 1 GPM flow rate with 20W PV panel

140919 Red indicator anode rod / SBB tank



249041 Anode for 300 - 400 tank



249042 Anode for 600 tank



036770 Gasket for anode



165967 Thermometer for SBB tank



143499 Segmented replacement anode



S5U S5U Clamp aluminum



FLST50 Insulated flexible stainless steel tubing
FLST75 UV/Water resistant, 1" insulation, with 3/4" NPT fittings

50' length
75' length



SUPVCT T-joint PVC clad polyisocyanurate outdoor pipe insulation, 7/8" i.d., 1" wall



SUPVCST PVC clad polyisocyanurate outdoor pipe insulation, 7/8" i.d., 1" wall; 3' length



SUPVC90 PVC clad polyisocyanurate outdoor pipe insulation, 7/8" i.d., 1" wall; 90°



SUPVC45 PVC clad polyisocyanurate outdoor pipe insulation, 7/8" X 1"; 45°



SPVC30 PVC Pre-Curled Jacket; 4' length



SPVCTPE PVC Tape 1.5" X 108"



SARMFLX Armaflex AP, 7/8" i.d. 3/4" wall; 6' length



SARMFLX-SPLIT Split Armaflex; 6' length



248999 Recirculation Nipple



ST116

Expansion Tank



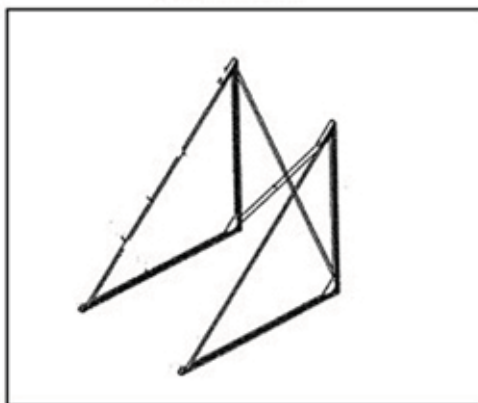
S10043

Purgomat

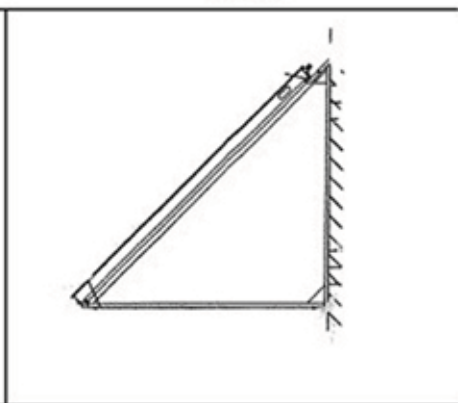


45° Collector Rack (vertical & horizontal available)

Roof or ground mount



Wall mount

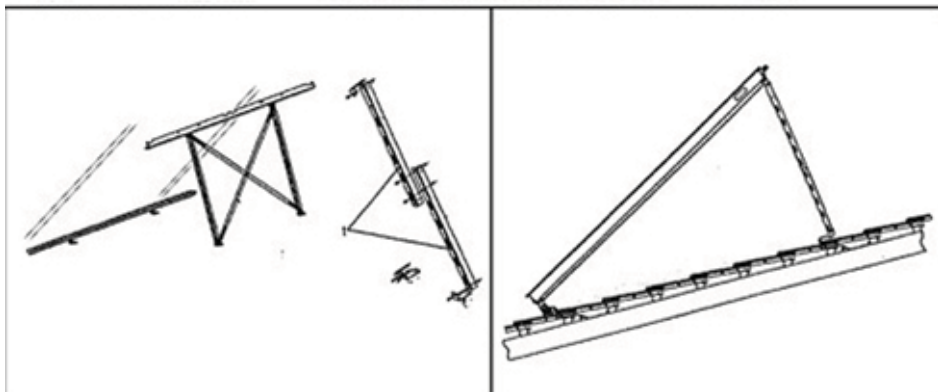


Two 45° Kits

For vertical: part # 185543 BFS (Qty 2 for 1 or 2 collectors, 3 for 3, 4 for 4)

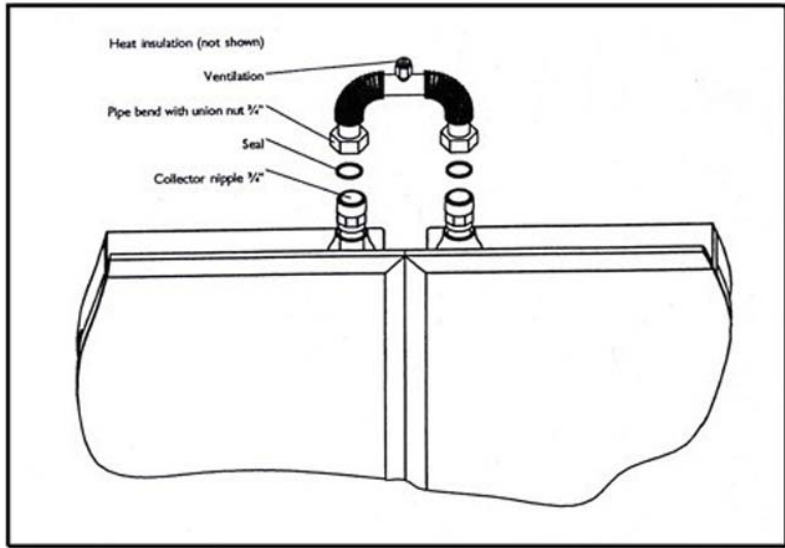
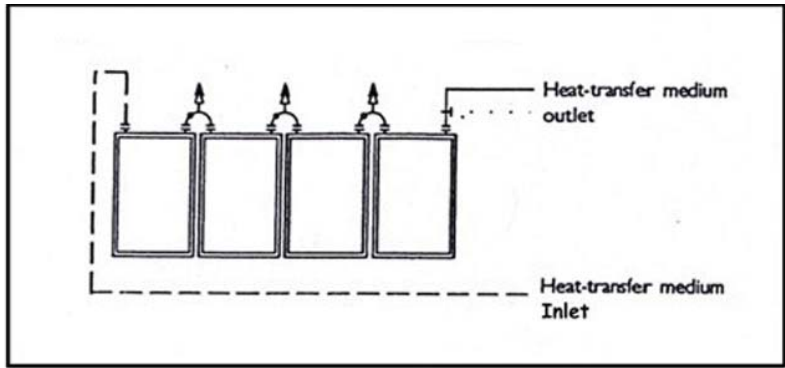
For horizontal: part # 074324 BFW (Qty 2 per collector)

Tilt Collector Rack (10° - 30°, vertical or horizontal)



For vertical: Qty 2 per collector

For horizontal: Qty 2 kits for 2 collectors, 3 for 3, 4 for 4



**Flowstar Pump Station
Shown with (SOM 6 / SOM 7) & Expansion Tank**